

## SLS 系列泳池&池塘生化过滤器

# SLS Swimming Pool & Pond Bio Filter



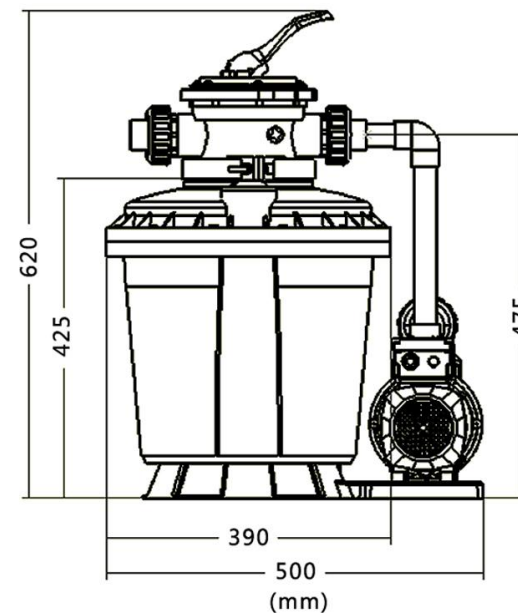
### Product Features:

1. Cadisdon swimming pool Bio-chemical filter, made of high-strength ABS material, with maximum 2.5kg water pressure, use the filter together with our large flow and high-lift pool pump, filter can quickly and effectively complete the pool filtration process.
2. With built-in UV light, to help you complete the integration of filtration and sterilization.
3. Using high-quality biochemical filter cotton ball, the filtering effect is outstanding, makes the cleaning process and maintenance more simpler and easier. The cleaning function can be operate by turning the valve to the backwash position.
3. Filter with new appearance and structure design, the utilization rate of filter space is much higher than traditional filter, also more flexible and convenient for users installation .
4. Multi-connected water inlet and outlet, optional 32mm/50mm soft hose or PVC pipe.

### 产品特点介绍：

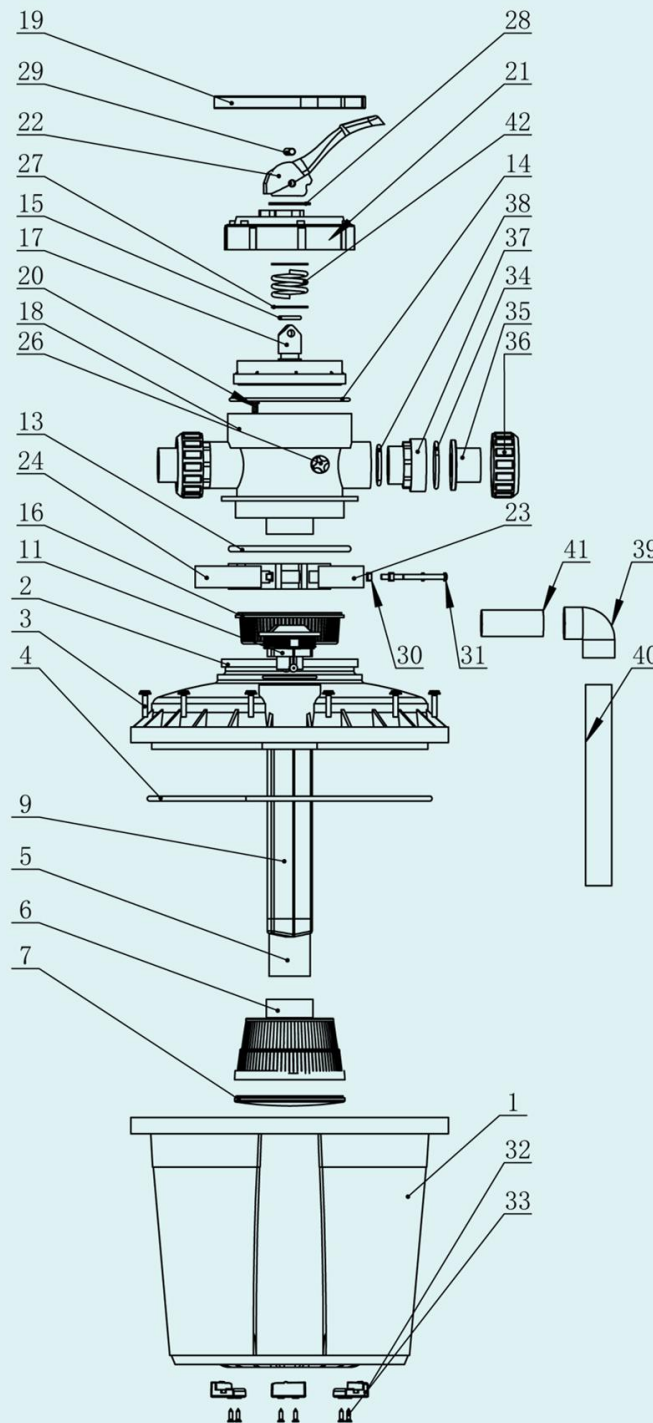
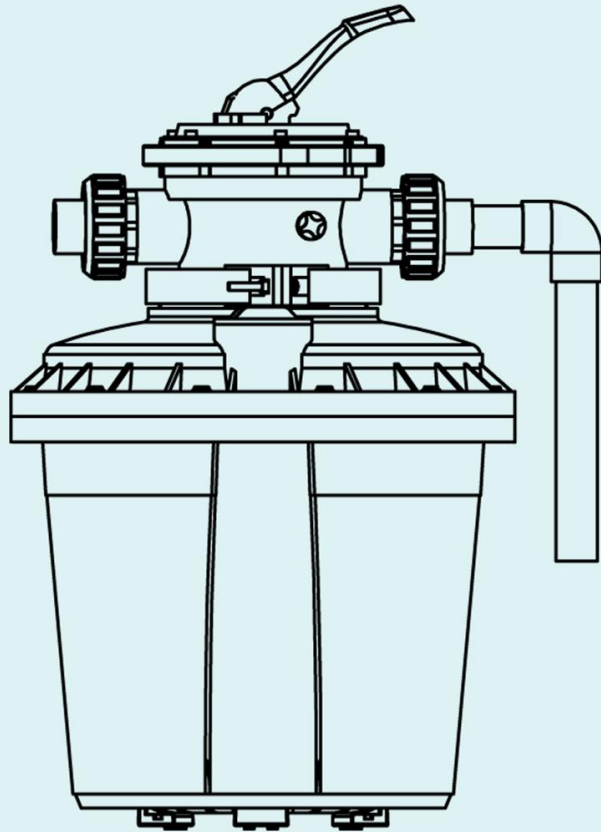
1. 凯迪斯顿泳池生化过滤器，采用高强度ABS材料制作，可承受2.5kg水压，配备我司生产的大流量高扬程水泵，可快速有效的完成水池过滤。
2. 内置UV紫外线杀菌灯，实现过滤杀菌一体化。
3. 采用优质生化过滤棉球，过滤效果更出众，清洗更简单，维护更省心，将阀门转至反冲洗位置即可实现清洗功能。
3. 新型外观和过滤结构设计，过滤空间利用率更高，安装更灵活便捷。
4. 多连接式进出水口，可选配32mm/50mm 软管或PVC管。

Pump Power 泵匹配功率	250W
Filter inlet/outlet diameter 过滤桶出水口径	1.25"/1.5"(32/50mm)
Filter flow rate 可选过滤桶流量	6m <sup>3</sup> /h, 8m <sup>3</sup> /h(With 32 or 50mm hose) (配32或50mm管)
Filter Pressure 过滤桶压力	2.5kg
Filter Media 滤料	Biochemical filter cotton ball (1kg) 过滤棉
UV Light Power UV灯功率	10w
Filter Capacity 过滤桶容积	20L
Suitable Pool&Pond Size 适用泳池/池塘水量	<45m <sup>3</sup>



# SLS Swimming Pool & Pond Bio Filter Parts

## SLS 系列泳池&池塘生化过滤器分解图



- 1 过滤桶 Filter Body
- 2 过滤桶盖 Filter cover
- 3 GB/T 9074.1-2002[六角头螺栓 ( S2 ) 和平垫圈组合件M6×28 8.8 U S2 L]
- 4 O3356
- 5 PVC水管 外径50 305 PVC Pipe O/D 50 305
- 6 过滤器 Filter basket
- 7 过滤器盖 Basket bottom
- 8 O 60 3
- 9 杀菌灯001 UV light
- 10 杀菌灯O型圈 UV light Oring
- 11 杀菌灯螺帽 UV light Nut
- 12 杀菌灯002 UV light002
- 13 O 135 7
- 14 O 140 3.5
- 15 O 20 4
- 16 分水篮 Water basket
- 17 分水器 Water distributor
- 18 缸头 MPV head
- 19 缸头扳手 MPV wrench
- 20 缸头定位肖 MPV locator
- 21 缸头盖 MPV cover
- 22 缸头手柄 MPV handle
- 23 扣夹A Buckle A
- 24 扣夹B Buckle B
- 25 O 11 2.5
- 26 排水螺丝HT Drain screw
- 27 44 34 1.5
- 28 50 30 2
- 29 圆肖 M8X50 Round bolt M8X50
- 30 M6X10X10X5
- 31 螺钉GB818 M5X25 GB/T818 Screw
- 32 过滤桶定位块 Filter locator
- 33 GB/T 846-1985[十字槽沉头自攻螺钉-C型ST4×16] Cross recessed countersunk head tapping screws-type C ST4×16
- 34 O 50 4
- 35 衬套32 Union 32
- 36 活接螺帽 HLB Union cap HLB
- 37 活接PLS Union PLS
- 38 O 42 4
- 39 32弯头90° 32 elbow 90°
- 40 PVC水管 外径32 245 PVC pipe O/D 32 245
- 41 PVC水管 外径32 75 PVC pipe O/D 32 75
- 42 缸头弹簧 MPV head spring